

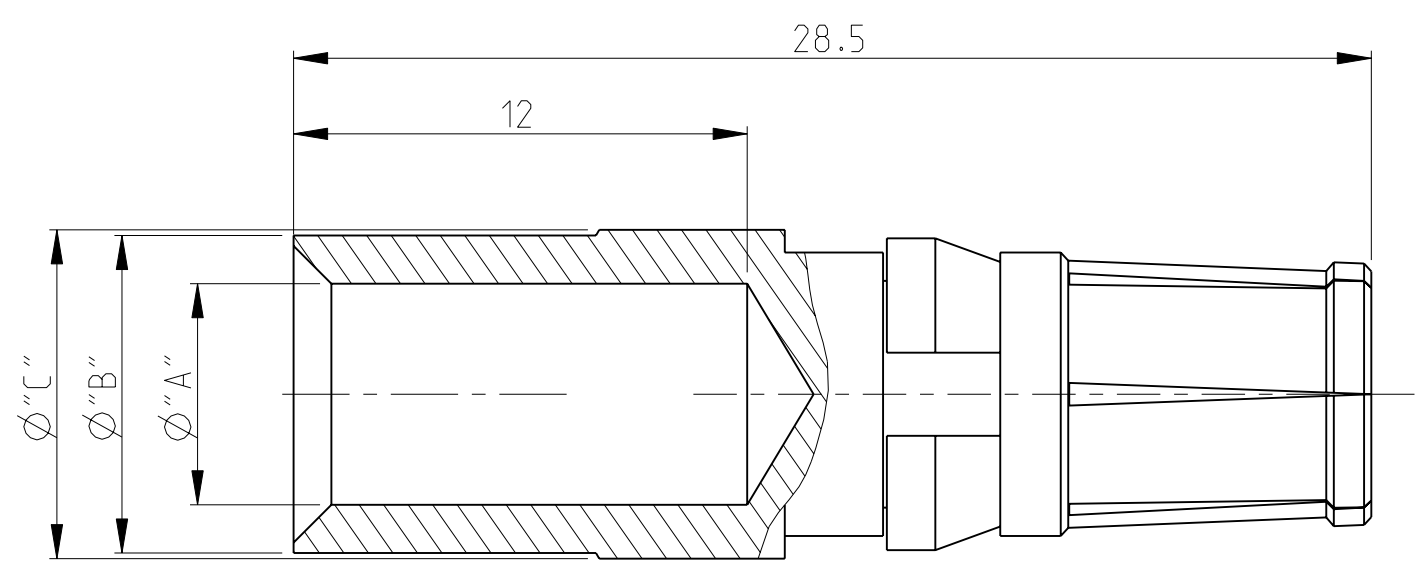
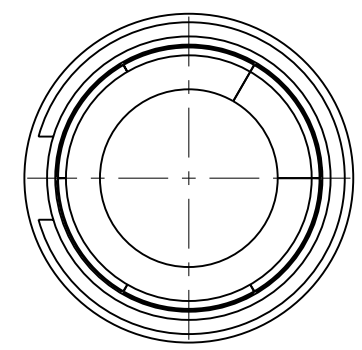
THIS DRAWING IS UNPUBLISHED. RELEASED FOR PUBLICATION 2006  
 © COPYRIGHT 2006 ALL RIGHTS RESERVED.

LOC	DIST	REVISIONS					
		P	LTR	DESCRIPTION	DATE	DWN	APVD
B1	-	C3		REVISED PER ECO-11-005150	31MAR2011	RK	HMR
		C4		ECR-11-021594	11NOV2011	RK	MKO

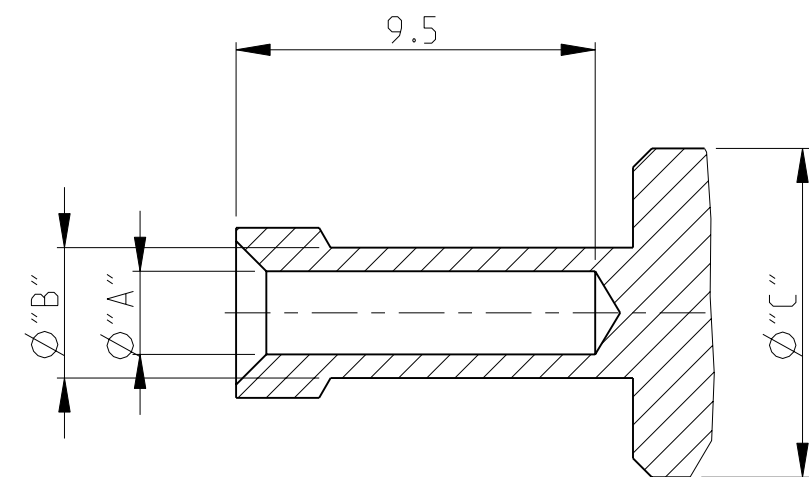
Notes

- 1 MATERIAL: BRASS
- 2 FINISH SILVER PLATING: 2 µm Ag MIN. OVER Cu
- 3 FINISH GOLD PLATING: 0.75 µm Au MIN. OVER Ni
- 4 WEIGHT (MAX.): 6.44 g, VOLUME (MAX.): 795mm<sup>3</sup> (APPROX.)
- 5 SUITABLE PIN CONTACT: CUSTOMER DRAWING 1105150
- 6 SUITABLE INSERTS: SERIES HSS, CUSTOMER DRAWING
- 7 SUITABLE CRIMP TOOL: PN 1-1105850-8
- 8 SUITABLE INSERTION TOOL: -
- 9 SUITABLE EXTRACTION TOOL: PN 0-1102855-5
- 10 FINE WIRE DIA. MAX. Ø4.5
- 11 STANDARDS: DIN EN 61984, DIN EN 60664-1
- 12 PACKAGING: 25 PIECES IN A POLY-BAG
- 13 PACKAGING: 1 PIECE LOOSE

WIRE CROSS-SECTION: Ø6mm<sup>2</sup>- 16mm<sup>2</sup>



WIRE CROSS-SECTION: Ø2.5mm<sup>2</sup>/ 4mm<sup>2</sup>



WIRE CROSS-SECTION	PLATING	CROSS SECTION	DIMENSIONS	STRIPPING-LENGTH	WITH CLIP	WITHOUT CLIP	RAW PART	12	13	
								PN	PN	PN
HSS-C-Bu.Au.16.0 mm <sup>2</sup>	GOLD	16.0	5.85 8.4 8.7	12	5-2	9-3	7-9	-	-	
HSS-C-Bu.Au.10.0 mm <sup>2</sup>		10.0	4.35 5.9 8.7	12	4-2	9-2	7-8	-	-	
HSS-C-Bu.Au.6.0 mm <sup>2</sup>		6.0	3.5 4.9 8.7	12	3-2	9-1	7-7	-	-	
HSS-C-Bu.Ag.25.0 mm <sup>2</sup>	SILVER	25.0	7.0 9.45 9.6	12	6-1	8-7	7-6	-	-	
HSS-C-Bu.Ag.16.0 mm <sup>2</sup>		16.0	5.85 8.4 8.7	12	5-1	8-6	7-5	-	-	
HSS-C-Bu.Ag.10.0 mm <sup>2</sup> -fine		10.0	4.6 5.9 8.7	12	4-3	8-5	7-4	-	-	
HSS-C-Bu.Ag.10.0 mm <sup>2</sup>		10.0	4.35 5.9 8.7	12	4-1	8-4	7-3	-	-	
HSS-C-Bu.Ag.6.0 mm <sup>2</sup>		6.0	3.5 4.9 8.7	12	3-1	8-3	7-2	-	-	
HSS-C-Bu.Ag.4.0 mm <sup>2</sup>		4.0	2.8 3.9 8.7	12	2-1	8-2	7-1	-	-	
HSS-C-Bu.Ag.2.5 mm <sup>2</sup>		2.5	2.2 3.45 8.7	12	1-1	8-1	7-0	-	-	
HSS-C-Bu.25.0 mm <sup>2</sup>		CuZn36Pb1.5F43	25.0	7.0 9.45 9.6	-	-	-	0-7	-	-
HSS-C-Bu.16.0 mm <sup>2</sup>			16.0	5.85 8.4 8.7	-	-	-	0-6	-	-
HSS-C-Bu.10.0 mm <sup>2</sup> -fine			10.0	4.6 5.9 8.7	-	-	-	0-5	-	-
HSS-C-Bu.10.0 mm <sup>2</sup>	10.0		4.35 5.9 8.7	-	-	-	0-4	-	-	
HSS-C-Bu.6.0 mm <sup>2</sup>	6.0		3.5 4.9 8.7	-	-	-	0-3	-	-	
HSS-C-Bu.4.0 mm <sup>2</sup>	4.0		2.8 3.9 8.7	-	-	-	0-2	-	-	
HSS-C-Bu.2.5 mm <sup>2</sup>	2.5		2.2 3.45 8.7	-	-	-	0-1	-	-	
		[MM <sup>2</sup> ]	"A" "B" "C"	[MM]	PN	PN	PN	PN		
ORDERING TEXT	PLATING	CROSS SECTION	DIMENSIONS	STRIPPING-LENGTH	WITH CLIP	WITHOUT CLIP	RAW PART			

PARTS LIST

THIS DRAWING IS A CONTROLLED DOCUMENT.		DWN K.SCHROEDER 10APR2008	TE Connectivity	
		CHK H.BRAUN 10APR2008		
		APVD T.SCHNURPFEL 10APR2008		
		PRODUCT SPEC 108-74016		
DIMENSIONS: mm		APPLICATION SPEC 114-74028		NAME SOCKET CONTACT SERIES HSS
TOLERANCES UNLESS OTHERWISE SPECIFIED:		WEIGHT -		SIZE A2
0 PLC ±	1 PLC ±	CUSTOMER DRAWING		CAGE CODE 00779
2 PLC ±	3 PLC ±	SCALE 5:1		DRAWING NO C-1105151
4 PLC ±	ANGLES ±0.5°	SHEET 1 OF 1		RESTRICTED TO -
FINISH 1 2 3		REV C4		

